

DOT 150x100 U STANDARD

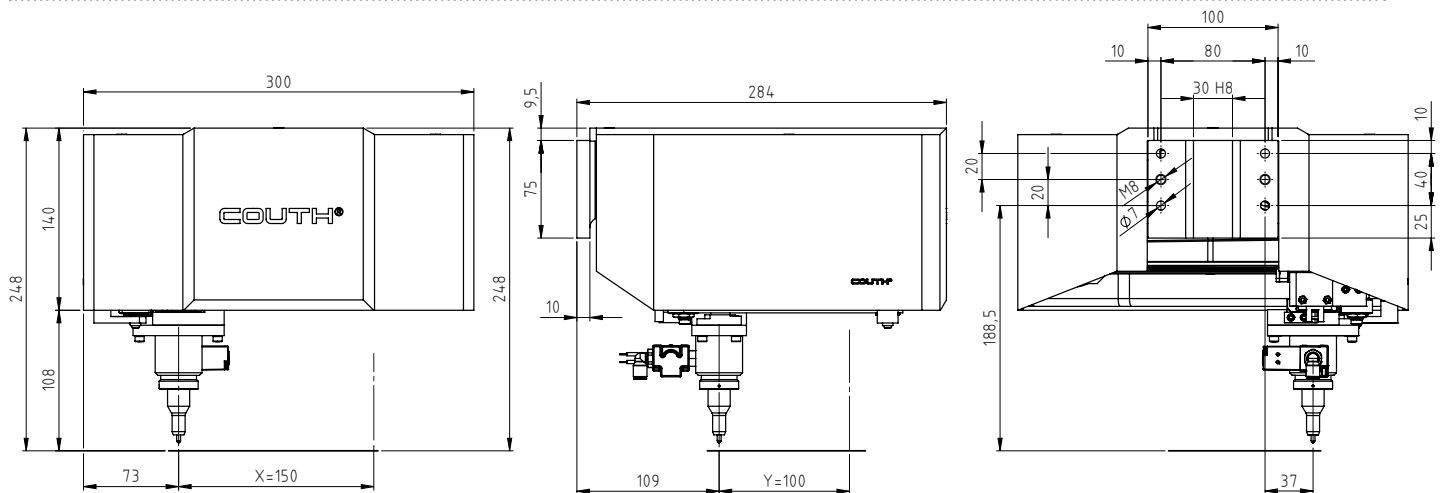
INTEGRABLE · DOT PEEN MARKING

- Dot peen marking unit for **large marking areas**, especially designed to be integrated into production lines.



ADVANTAGES

- Great **production flexibility**, thanks to its large marking area, so you can change the size, position of the mark, and even the number of pieces to mark.
- Maximum reliability, **uninterrupted productions** and reduced maintenance costs.
- Marking for **all kinds of materials and hardnesses**, up to 62HRC.
- Option to use for deep mark with N34 cylinder
- Circular connector, easy assembly and disassembly..
- Bi-colour LED, with visual information on machine status.



Area	Dimensions (mm)			Weight
	X x Y	Width	Depth	
150 x 100 (25)	300	284	248	7.5

CHARACTERISTICS

- 150 x 100 mm marking area.
- Speed up to 12 characters/second.
- 6-bar air pressure.
- Hardness of materials to mark up to 62HRC.
- Wide range of characters, from 0.1 mm to complete area.
- Marking alphanumeric codes, logotypes, DATAMATRIX™, QR codes, etc.
- Different marking head types, depending on marking needs: pneumatic (N7, N10, N14, N20) and electric (S2, S6).
- Option to use for deep mark with N34 cylinder
- Optional protection system that is easy to assemble and disassemble.
- **Bi-colour LED** provides information on the machine's status.
- **Circular connector** that facilitates maintenance
- 2.5-meter robotics cable, with customisation possibilities.
- Connection with COUTH control unit for integration into production lines (see technical file for more information).
- PC edition software.