

DOT 160x17 P+N SUPERFAST

DOT 160x25 P+N SUPERFAST

BLENDED DOT PEEN MARKING

- Blended **top-speed** dot peen marking station. With all the advantages of a marking station and a portable marking unit. Designed for companies with a wide variety of pieces, including those whose dimensions mean it is better to mark on the production line. Especially recommended for **VIN** marking in the **automobile industry**.

ADVANTAGES

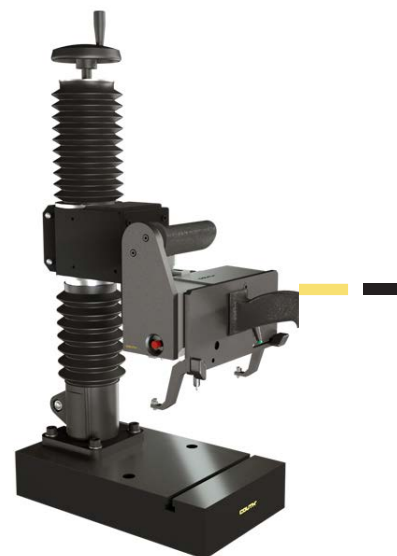
- **Maximum flexibility**, combining a marking station with a portable marking unit.
- **Maximum marking speed**, for all kinds of materials and hardnesses up to 62HRC.
- **Versatility in the size of the pieces to be marked**, thanks to regulation up to 250 mm in height, so you can mark everything from thin sheets to large pieces, including fastening.
- Highly **robust and long-lasting**, thanks to the high quality of its components.
- T-slot, facilitating **placement of marking tools**.
- Possibility of anchoring the table to a surface for **greater stability**.
- Can mark **large pieces**.
- **Ergonomic and lightweight**, it facilitates access to any position and handling for the user.
- Possibility of purchasing the model with **window support**

-160x17 Code: 21L16FNG1

-160x25 Code: 21L62FNG1

CHARACTERISTICS

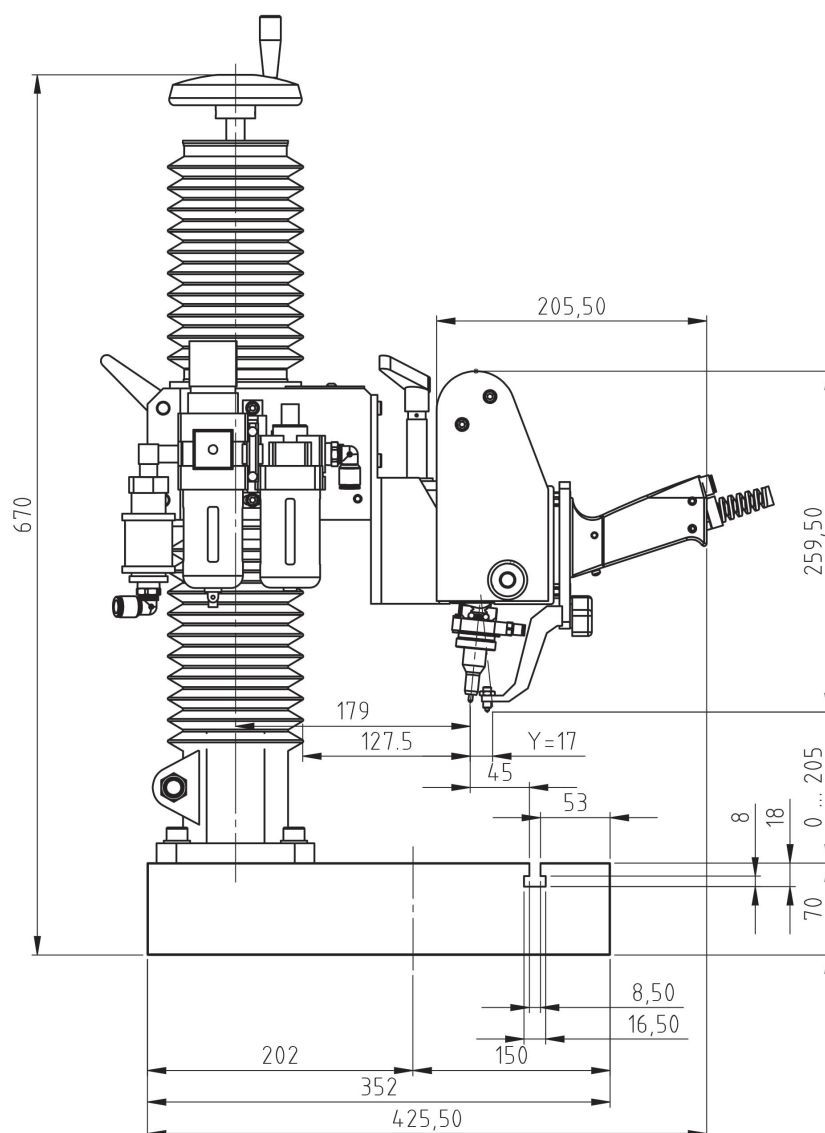
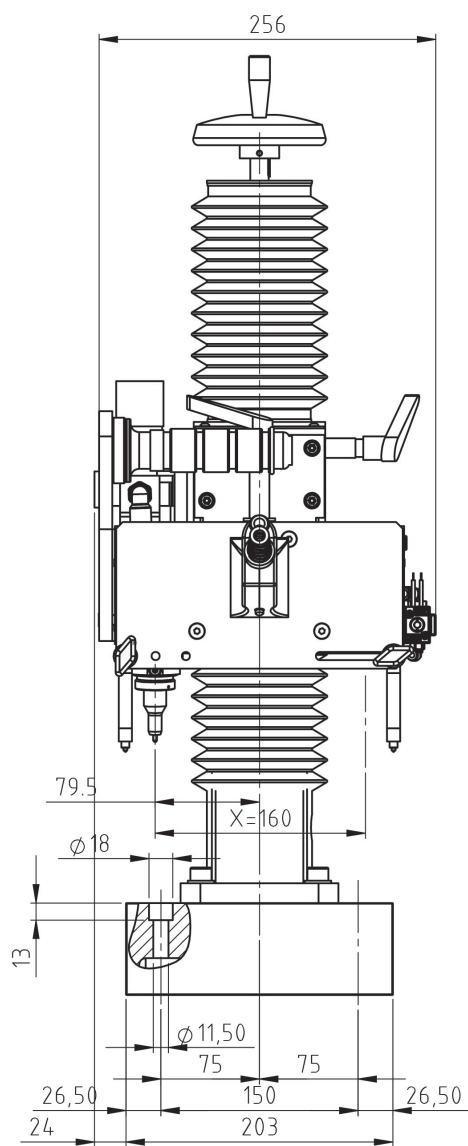
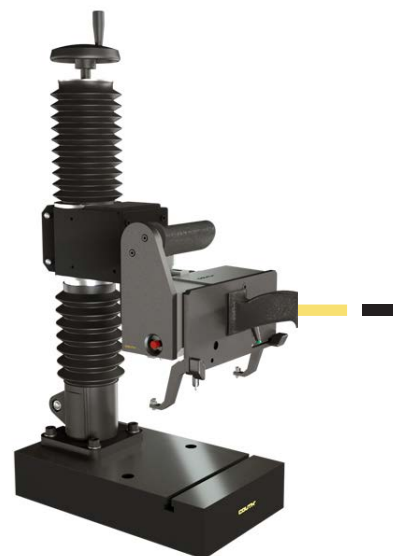
- 160 by 17 mm marking area.
- 160 by 25 mm marking area.
- Speed up to 16 characters/second.
- Hardness of materials to mark up to 62HRC.
- 6-bar air pressure.
- Table for placing tools and plate stand.
- Column with height regulation up to 250 mm
- Different header types, depending on marking needs: pneumatic (N7SB, N14SB, N20SB) and electric (S2, S6).
- 5-metre robotics wire.
Other lengths: 10 and 15 metres.
- Marking alphanumeric codes, logotypes, DATAMATRIX™, QR codes, etc.
- Connection with COUTHsmartbox for integration into production lines (see technical file for more information).
- PC edition programme:
 - **COUTHvector**, logotype creation.
 - **COUTHedit**, marking file creation.
 - **COUTHmonitor**, machine status monitoring
- **COUTHlink**. Library to facilitate connectivity between COUTH smartbox and the production line PLC.



**DOT 160x17 P+N
SUPERFAST**

BLENDED DOT PEEN MARKING

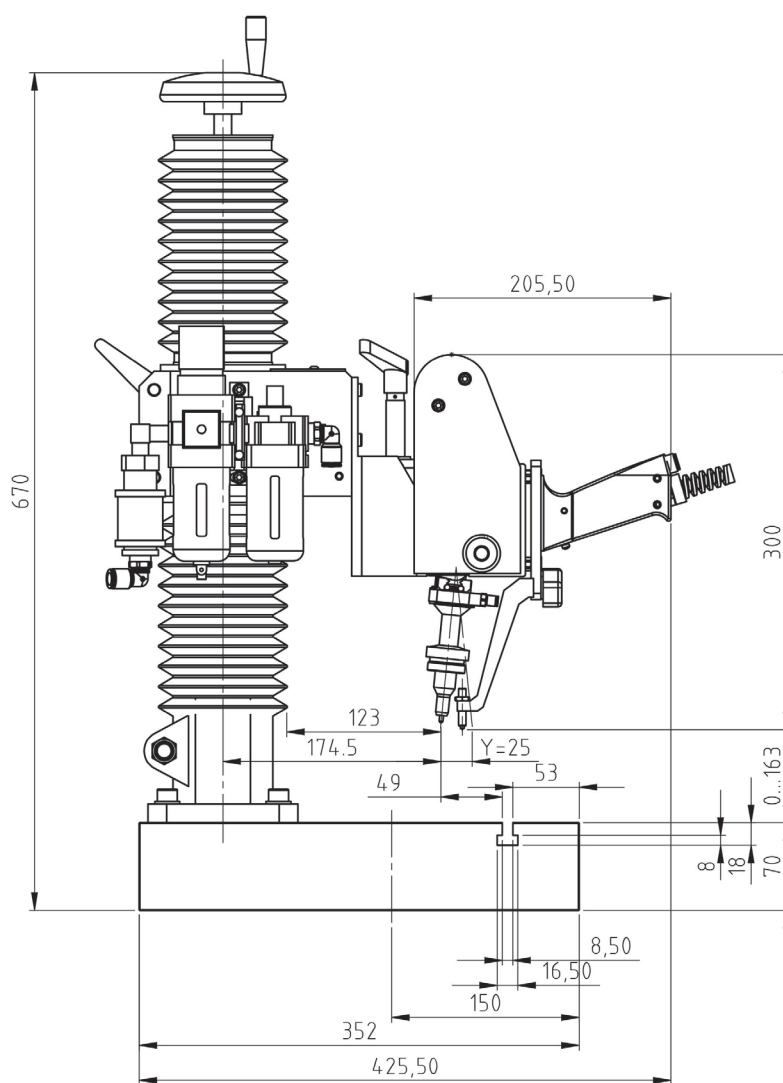
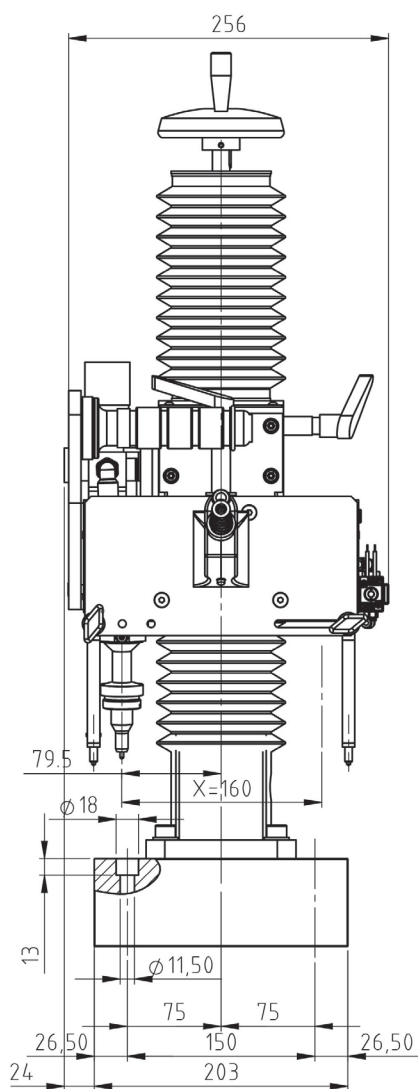
DIMENSIONS



**DOT 160x25 P+N
SUPERFAST**

BLENDED DOT PEEN MARKING

DIMENSIONS

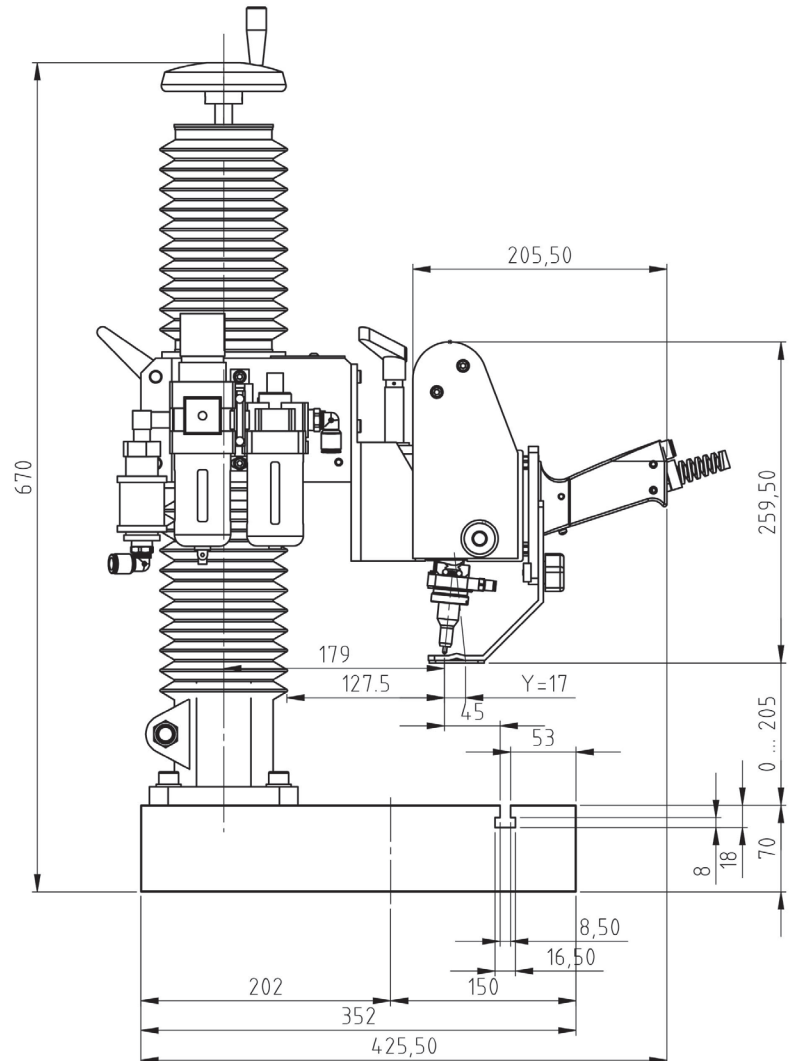
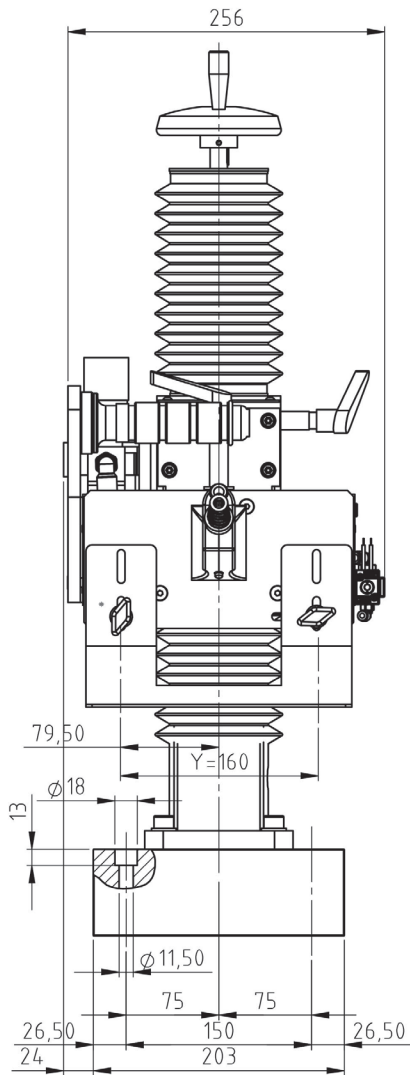
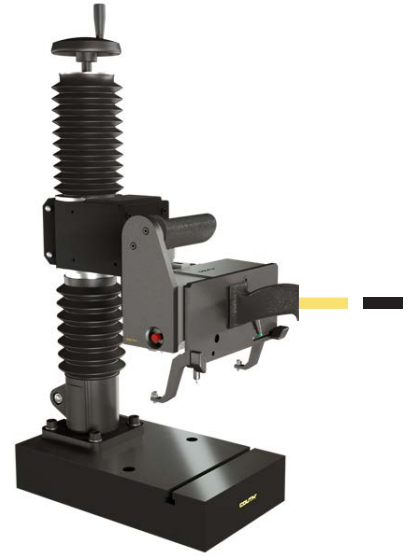


**DOT 160x17 P+N
SUPERFAST**

BLENDED DOT PEEN MARKING

DIMENSIONS

DOT PEEN 160X17 P+N WITH WINDOW (CODE 21L16FNG1)



DOT 160x25 P+N SUPERFAST

BLENDED DOT PEEN MARKING

DIMENSIONS

DOT PEEN 160X25 P+N WITH WINDOW (CODE 21L62FNG1)

