

DOT 72 x 35U DEEP MARK

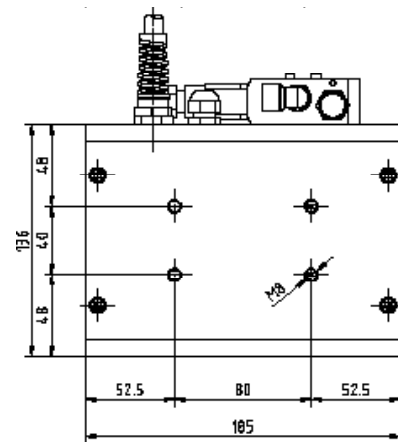
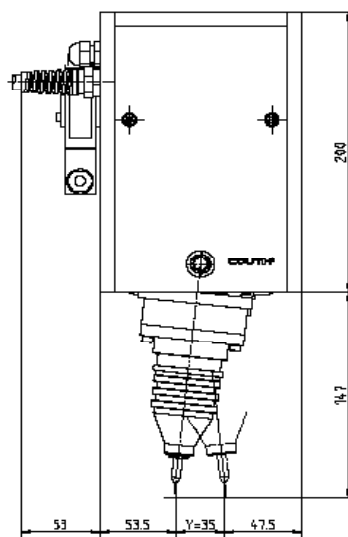
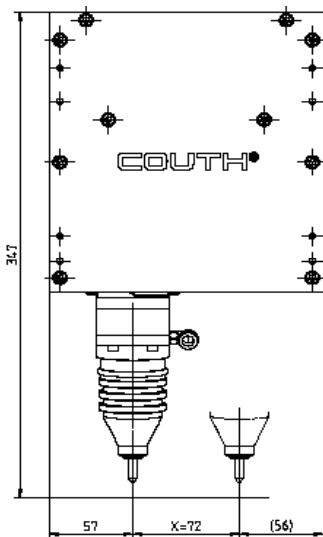


INTEGRABLE · DOT PEEN MARKING

- Dot peen marking unit for deep marking, especially designed to be integrated into the most demanding production lines - heavy duty industry and for marking pieces with later treatment (blasting, machining, grinding, painting, etc.)

ADVANTAGES

- **Very deep mark**, more than 0.5 mm, at optimum speed.
- **Highly robust, long-lasting and resistant**, especially designed for the most demanding industrial settings - heavy duty industry.
- Maximum reliability, **uninterrupted productions** and reduced maintenance costs.
- Marking for **all kinds of materials and hardnesses**, up to 62HRC.
- **Compact, simple to integrate**, thanks to the small size.
- Circular connector, **easy assembly and disassembly**.



| Area X x Y | Dimensions (mm) | | | Weight Kg |
|---------------|-----------------|-------|--------|--------------|
| | Width | Depth | Height | |
| 72 x 35 | 185 | 136 | 347 | 11 |

CHARACTERISTICS

- 72 x 35 mm marking area.
- Speed up to 4 characters/second (large characters)
- 6-bar air pressure.
- Hardness of materials to mark up to 62HRC.
- Wide range of characters, from 0.1 mm to complete area.
- Marking alphanumeric codes, logotypes, DATAMATRIX™, QR codes, etc.
- N34 pneumatic head, special for deep marking, and optional (N7, N10, N14, N20) pneumatic head.
- Protection system option.
- 5-meter robotics cable, with customisation possibilities.
- Connection with COUTH control unit for integration into production lines (see technical file for more information).
- PC edition software.
- Circular connector that facilitates its maintenance.